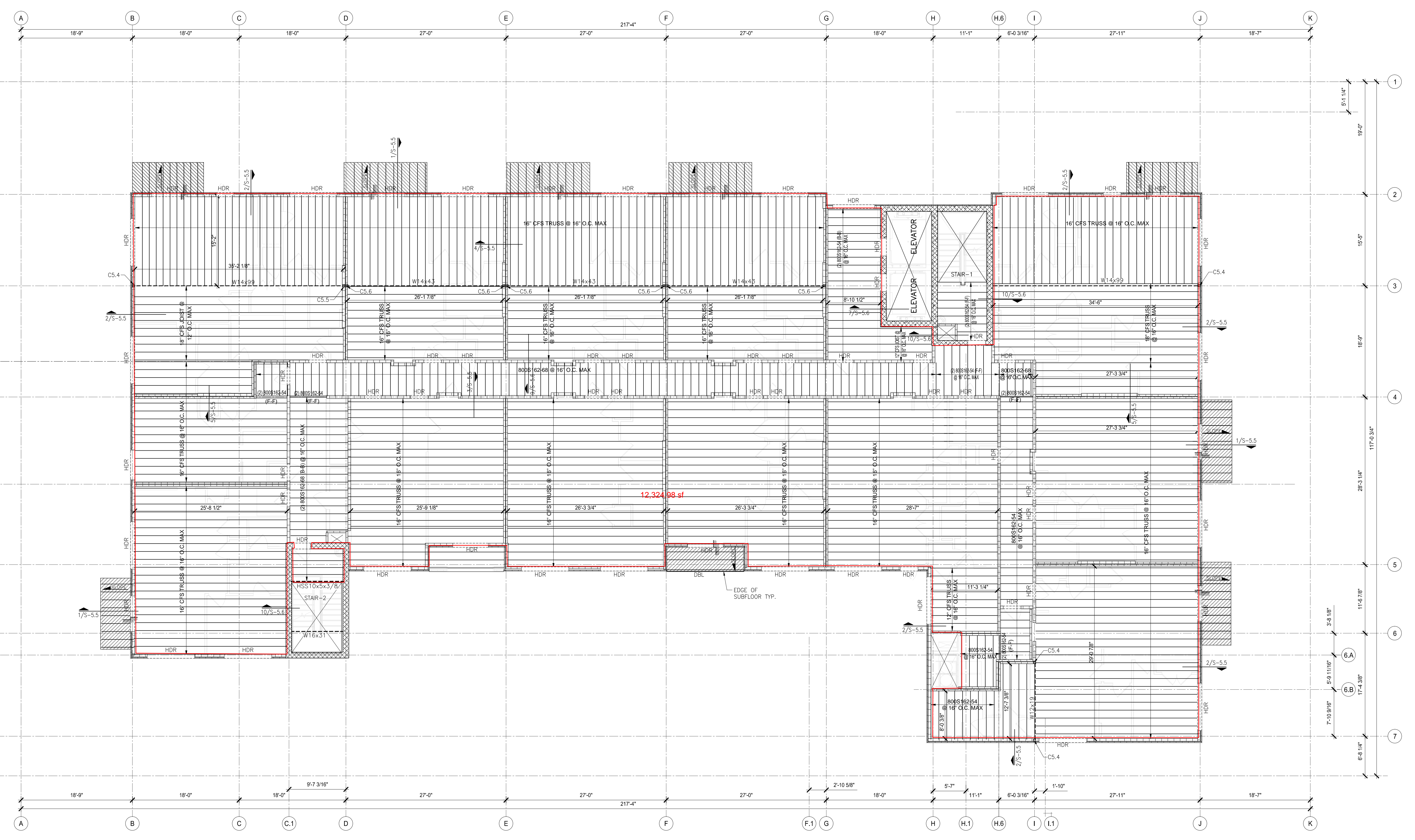
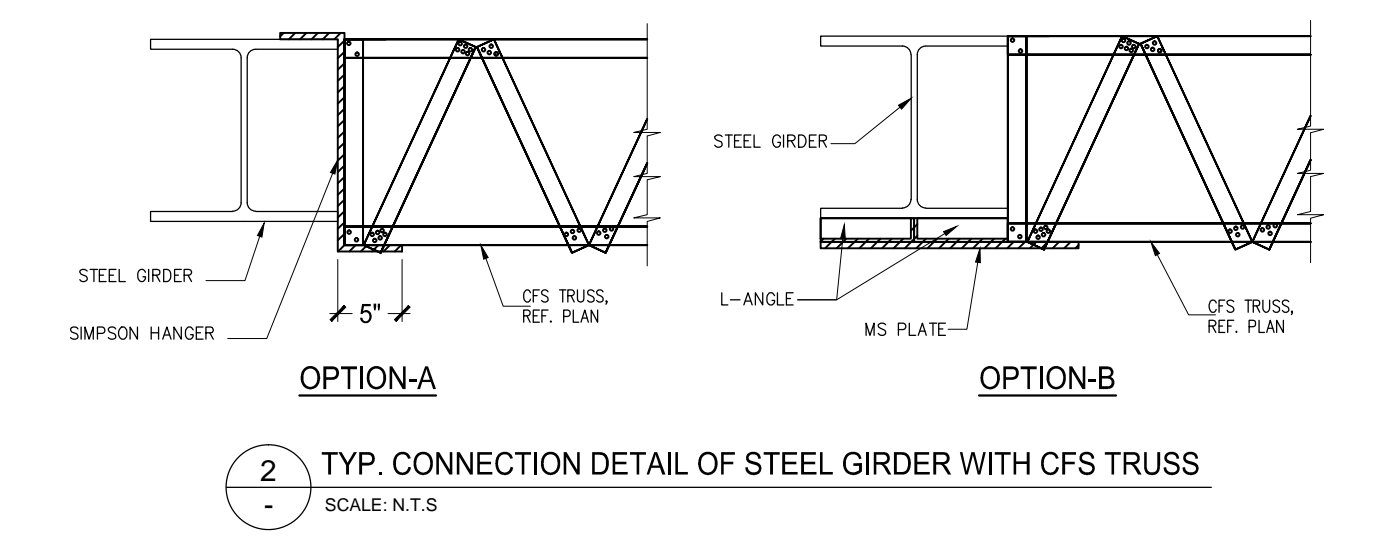


Legend

Description	Quantity	Unit
Trusses	12,324.98	sf



1 6TH FLOOR FRAMING PLAN
SCALE: 1/8"=1'-0"

COLUMN SCHEDULE

Column	Section
C5.4	HSS5x5x1/2
C5.5	HSS6x3x1/2
C5.6	HSS5x3x1/2
C5.7	HSS 5 1/2 x 5 1/2 x 3/8

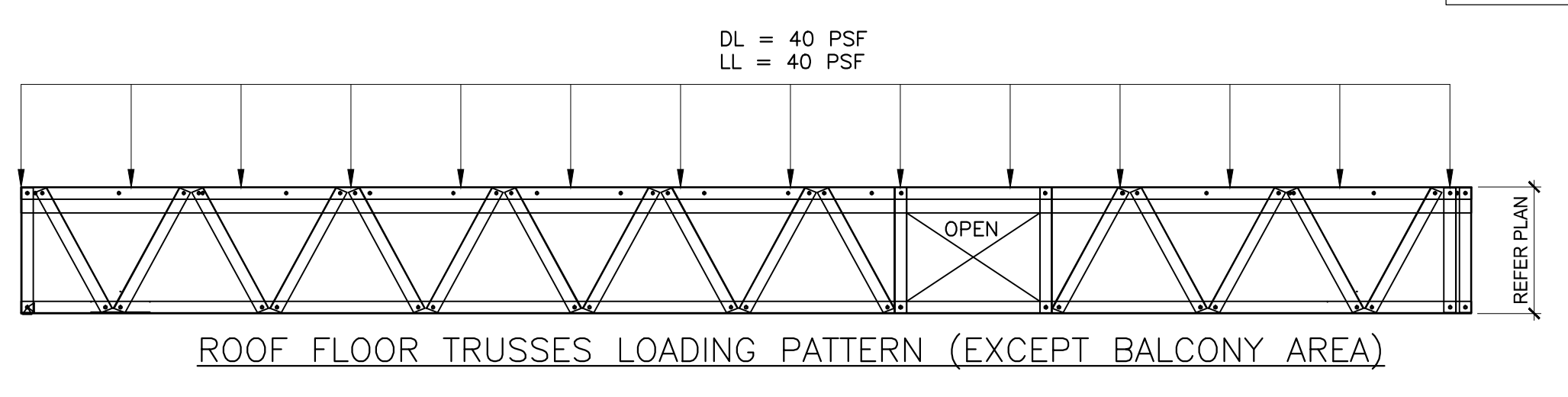
STUD SCHEDULE

FLOOR LEVEL	EXTERIOR WALLS (5 1/2" WALL)	INTERIOR WALLS (5 1/2" WALL)	INTERIOR WALLS (3 5/8" WALL)
4TH FLOOR	(2) S50S162-68 (B-B) @1'-4" O.C. MAX	(2) S50S162-68 (B-B) @1'-4" O.C. MAX	(2) 362S162-68(B-B) @1'-4" O.C. MAX
5TH FLOOR	(2) S50S162-54 (B-B) @1'-4" O.C. MAX	(2) S50S162-54 (B-B) @1'-4" O.C. MAX	(2) 362S162-54(B-B) @1'-4" O.C. MAX
6TH FLOOR	(2) S50S162-54 (B-B) @1'-4" O.C. MAX	(2) S50S162-54 (B-B) @1'-4" O.C. MAX	(2) 362S162-54(B-B) @1'-4" O.C. MAX
ROOF	(2) S50S162-43 (B-B) @1'-4" O.C. MAX	(2) S50S162-43 (B-B) @1'-4" O.C. MAX	(2) 362S162-43(B-B) @1'-4" O.C. MAX
UPPER ROOF	S50S162-54 @1'-4" O.C. MAX	-	-

NOTE: ALL LISTED STUDS ARE BRACED AT 1/3 ON CENTER, BUT NOT MORE THAN 4'-0" O.C.

PLAN NOTES:

- SEE S-1 SERIES FOR GENERAL NOTES.
- SEE S-3 SERIES FOR FOUNDATION DETAILS.
- SEE S-4 SERIES FOR FRAMING DETAILS.
- TRUSS / TRUSS GIRDER SHALL BE DESIGNED BY TRUSS DESIGNER.
- IN ADDITION TO THE FLOOR/ROOF LOAD, TRUSS/GIRDER TRUSS SHALL BE DESIGNED FOR THE ADDITIONAL LOAD AS SHOWN ON PLAN & FRAMING DETAILS, TYPICAL.



3/4" PLYWOOD SHEATHING EXPOSURE 1, T&G UNDERLAYMENT GRADE, APA SPAN RATED 24" O.C. OR EQUAL. PLACE AT RIGHT ANGLES TO FLOOR JOIST, STAGGER JOIST, GLUE AND NAIL W10d NAILS @ 6" AT EDGE AND 12" O.C IN FIELD

DESIGN BALCONY AREA FOR DL = 35 PSF & LL = 60 PSF
CMU WALL

PLAT #	C.O.D BLDG PERMIT #				
RD TRACKING #	WWW TRACKING #				
6TH FRAMING PLAN					
BECKLEY & 6TH & UPPER FLOOR MULTI-FAMILY					
313 NORTH BECKLEY					
SUSTAINABLE DEV. & CONSTRUCTION					
CITY OF DALLAS, TX					
CHECK	DRAW	DATE	FILE NO	NUMBER	SHEET
BS	RK	07-06-2023	2020-27	2	S-2.8

© 2020 UBS Engineering LLC All rights reserved.
THIS DOCUMENT CONTAINS CONFIDENTIAL AND PROPRIETARY INFORMATION THAT IS UNLAWFULLY DISCLOSED, REPRODUCED OR DIVULGED, IN WHOLE OR IN PART, WITHOUT WRITTEN AUTHORIZATION BY UBS ENGINEERING LLC.
THE DRAWINGS, PLANS, MODELS, DESIGN SPECIFICATIONS, REPORTS, PHOTOGRAPHS, COMPUTED DATA, CALCULATIONS, CALCULATIONS AND OTHER DATA, INCLUDING COMPUTER PRINT-OUTS, CONTAINED IN THIS CONTRACT DOCUMENT ARE THE PROPERTY OF THE DESIGNER. THE CONTRACT DOCUMENTS ARE MADE AVAILABLE FOR YOUR REVIEW AND APPROVAL ONLY. YOU AGREE TO HOLD THE DESIGNER AND HIS OR HER COMPANY HARMLESS FROM AND AGAINST ALL CLAIMS, DAMAGES, LOSSES AND EXPENSES, INCLUDING REASONABLE ATTORNEY'S FEES, THAT MAY BE ASSERTED AGAINST OR INCURRED BY THE DESIGNER OR HIS OR HER COMPANY AS A RESULT OF YOUR FAILURE TO PROTECT THE CONFIDENTIALITY OF THE INFORMATION CONTAINED IN THIS CONTRACT DOCUMENTS.

UBS
Engineering, LLC
555 Republic Dr, Suite 435
Plano, TX 75074
United States
WWW.UBSENG.COM
PH: 469-667-0403

**BECKLEY & 6TH & UPPER FLOOR MULTI-FAMILY
313 NORTH BECKLEY;**

REV.	DATE	BY	DESCRIPTION
0	10-28-2024	BS	90% CD SET
1	11-08-2024	BS	95% CD SET

S-2.8