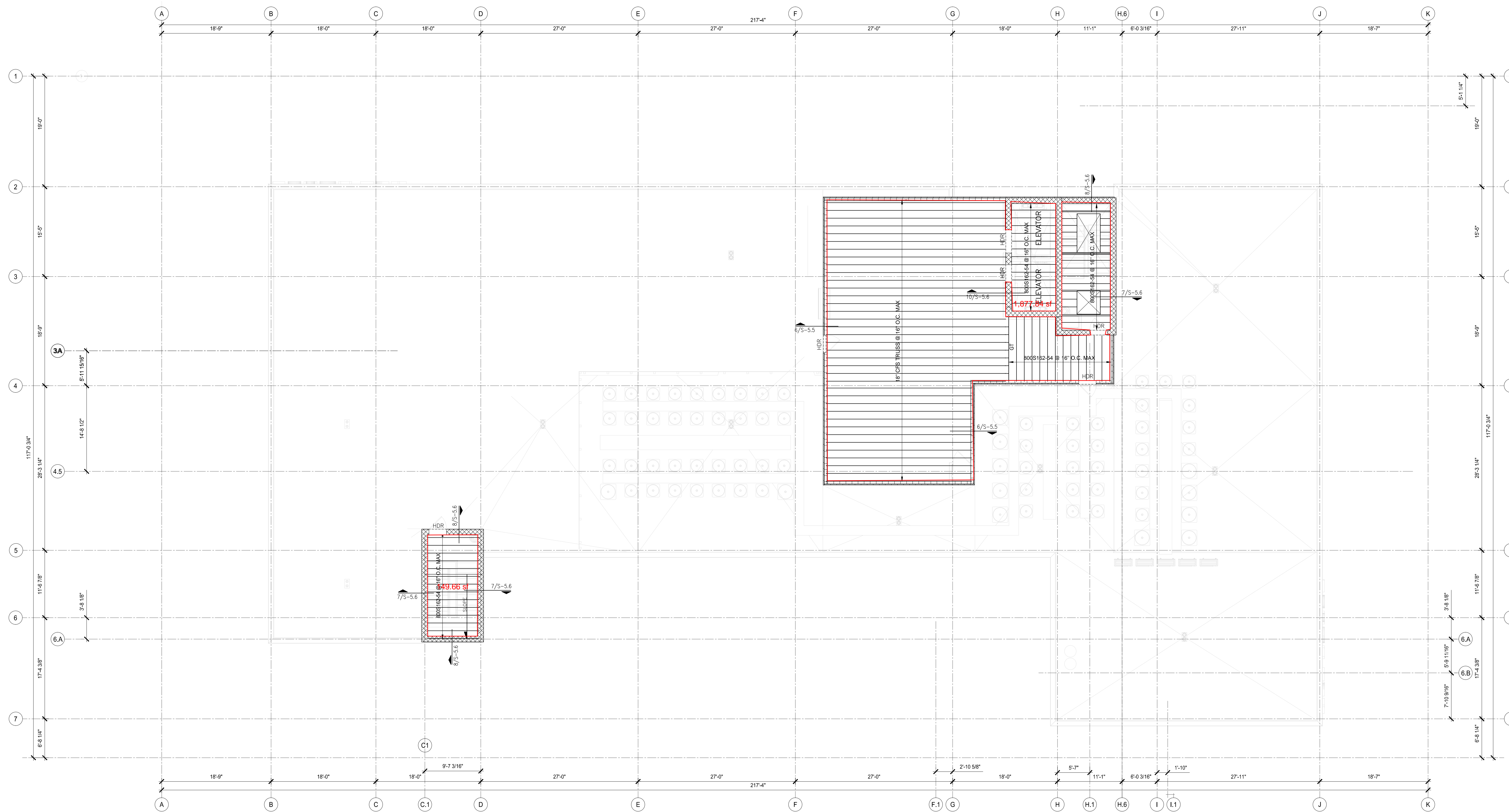


Legend		
Description	Quantity	Unit
Trusses	2,027.50	sf

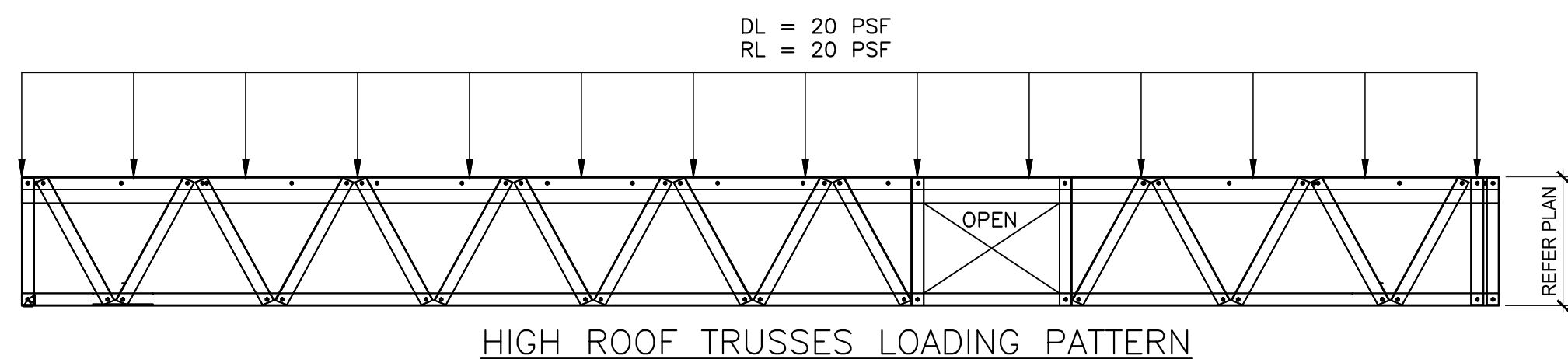


1 UPPER ROOF FRAMING PLAN
SCALE: 1/8"=1'-0"

STUD SCHEDULE			
FLOOR LEVEL	EXTERIOR WALLS (5 1/2" WALL)	INTERIOR WALLS (5 1/2" WALL)	INTERIOR WALLS (3 5/8" WALL)
4TH FLOOR	(2)S50S162-68 (B-B) @1'-4" O.C. MAX	(2)S50S162-68 (B-B) @1'-4" O.C. MAX	(2) 362S162-68(B-B) @1'-4" O.C. MAX
5TH FLOOR	(2)S50S162-54 (B-B) @1'-4" O.C. MAX	(2)S50S162-54 (B-B) @1'-4" O.C. MAX	(2) 362S162-54(B-B) @1'-4" O.C. MAX
6TH FLOOR	(2)S50S162-54 (B-B) @1'-4" O.C. MAX	(2)S50S162-54 (B-B) @1'-4" O.C. MAX	(2) 362S162-54(B-B) @1'-4" O.C. MAX
ROOF	(2)S50S162-43 (B-B) @1'-4" O.C. MAX	(2)S50S162-43 (B-B) @1'-4" O.C. MAX	(2) 362S162-43(B-B) @1'-4" O.C. MAX
UPPER ROOF	S50S162-54 @1'-4" O.C. MAX	-	-

ALL LISTED STUDS ARE BRACED AT 1/3 HEIGHT BUT NOT MORE THAN 4'-0" O.C.

- PLAN NOTES:**
- SEE S-1 SERIES FOR GENERAL NOTES.
 - SEE S-4 SERIES FOR FRAMING DETAILS.
 - ROOF CONSIST OF 19/32 PLYWOOD DECK. REF. GENERAL NOTES & SCHEDULE.
 - TRUSS SHALL BE DESIGNED FOR 26 PSF NET UPLIFT, TYP.



3/4" PLYWOOD SHEATHING EXPOSURE 1, T&G UNDERLAYMENT GRADE, APA SPAN RATED 24" O.C. OR EQUAL. PLACE AT RIGHT ANGLES TO FLOOR JOIST, STAGGER JOIST, GLUE AND NAIL W10d NAILS @ 6" AT EDGE AND 12" O.C. IN FIELD

PLAT #		C.O.D. BLDG PERMIT #			
RD TRACKING #		WWW TRACKING #			
UPPER ROOF FRAMING PLAN					
BECKLEY & 6TH & UPPER FLOOR MULTI-FAMILY					
313 NORTH BECKLEY					
SUSTAINABLE DEV. & CONSTRUCTION					
CITY OF DALLAS, TX					
CHECK	DRAW	DATE	FILE NO	NUMBER	SHEET
BS	RK	07-06-2023	2020-27	2	S-2.10

© 2020 UBS Engineering LLC All rights reserved.
THIS DOCUMENT CONTAINS CONFIDENTIAL AND PROPRIETARY INFORMATION THAT IS THE PROPERTY OF UBS ENGINEERING, LLC. ANY REPRODUCTION, DISSEMINATION, OR USE OF THIS DOCUMENT WITHOUT THE WRITTEN PERMISSION OF UBS ENGINEERING, LLC IS STRICTLY PROHIBITED. THE INFORMATION CONTAINED HEREIN IS FOR THE EXCLUSIVE USE OF THE CLIENT AND IS NOT TO BE REPRODUCED, COPIED, OR TRANSMITTED IN ANY FORM OR BY ANY MEANS, ELECTRONIC OR MECHANICAL, INCLUDING PHOTOCOPYING, RECORDING, OR BY ANY INFORMATION STORAGE AND RETRIEVAL SYSTEM. THE CLIENT AGREES TO HOLD UBS ENGINEERING, LLC HARMLESS FROM AND AGAINST ALL CLAIMS, DAMAGES, LOSSES, AND EXPENSES, INCLUDING REASONABLE ATTORNEY'S FEES, ARISING OUT OF OR RESULTING FROM THE USE OF THIS DOCUMENT.

UBS
Engineering, LLC
555 Republic Dr, Suite-435
Plano, TX 75074
United States
WWW.UBSENG.COM
PH: 469-667-0403

BECKLEY & 6TH & UPPER FLOOR MULTI-FAMILY 313 NORTH BECKLEY;

REV.	DATE	BY	DESCRIPTION
0	10-28-2024	BS	90% CD SET
1	11-08-2024	BS	95% CD SET

S-2.10